

SOLUS

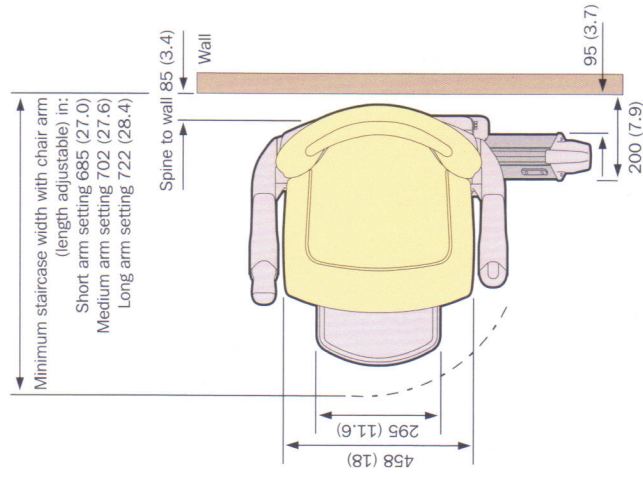
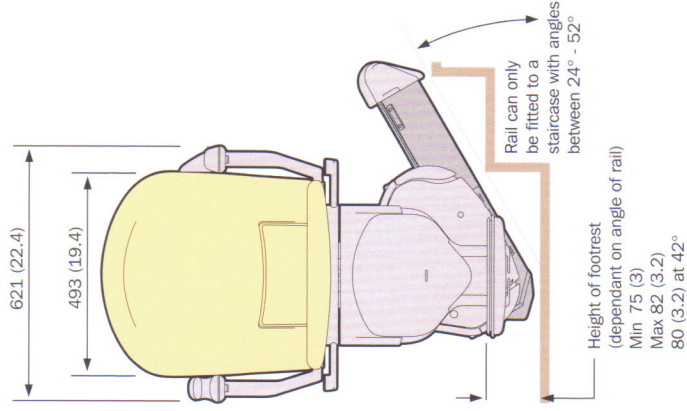
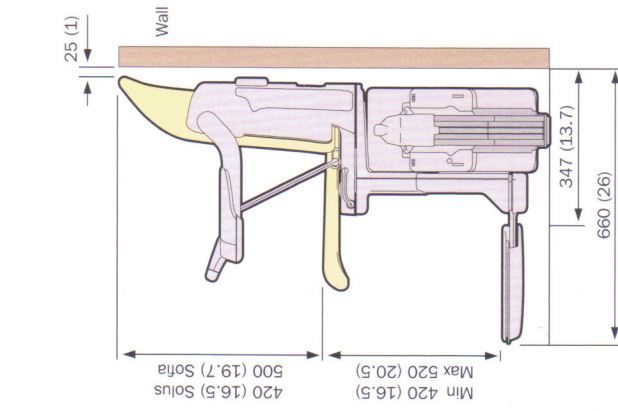
sofia

Stannah Solus and Sofia for straight stairs. Standard swivel and one-way automatic swivel chair dimensions

Maximum user weight:  
Load 135kg (21 stone 2 pounds)

Speed: 0.1 metre per second  
(Can vary according to user weight)

Seat height increases by 55mm  
(2.2) when an automatic  
swivel seat is selected



Measurements are in millimetres. Measurements in brackets are inches. All dimensions measured from the wall are nominal. The addition of a wide stringer or similar obstruction may affect the dimensions taken from this point. The colour representation of the chair shown above is for illustrative purposes only.



OUR COMPANY POLICY IS ONE OF CONTINUING PRODUCT IMPROVEMENT. WE THEREFORE RESERVE THE RIGHT TO ALTER THE SPECIFICATIONS AND TO CHANGE AND IMPROVE DESIGN AT ANY TIME. FULL OPERATING INSTRUCTIONS ARE SUPPLIED FOR ALL PRODUCTS. STANNAH IS A REGISTERED TRADEMARK. THE CE MARK INDICATES THAT THIS PRODUCT COMPLIES WITH THE APPLICABLE EUROPEAN DIRECTIVES WHICH RELATE TO HEALTH, SAFETY, ENVIRONMENT AND CONSUMER PROTECTION. DESIGN, MANUFACTURE AND INSTALLATION: STANNAH STAIRLIFTS LIMITED WERE THE FIRST STAIRLIFT MANUFACTURER TO OBTAIN FULL QUALIFICATION TO BRITISH STANDARD BS5750 (ISO 9001) ALTERATIONS IN MODELS, STANDARD AND OPTIONAL EQUIPMENT AS DESCRIBED IN THE TEXT AND ILLUSTRATIONS, MAY OCCUR. FOR PRECISE INFORMATION PLEASE CONTACT YOUR STANNAH DEALER.